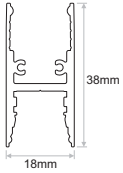


LINILINE SURFACE

Aluminium Profile

- Liniline surface aluminium profile.
- Special design and construction to meet the most demanding lighting designs.
- Variety of accessories.
- Available either with lens or with cover (clear, frosted, satin).
- Available also in black, white or different RAL colours upon request.



Surface

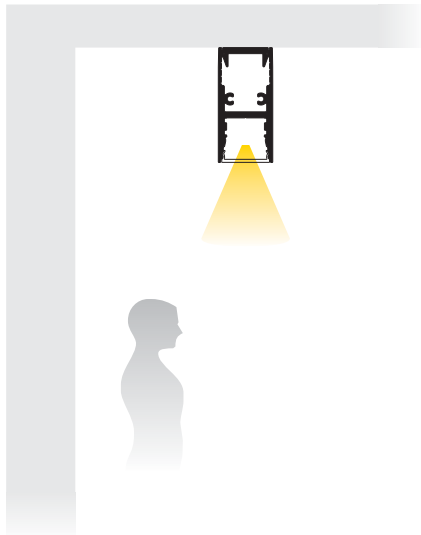

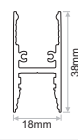

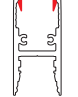

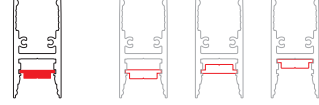

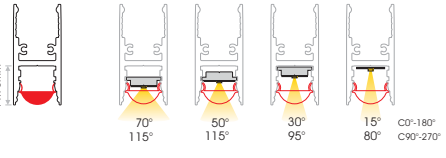

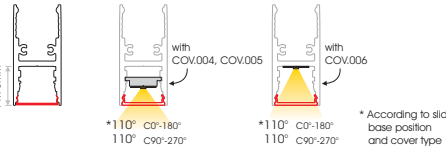

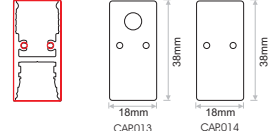


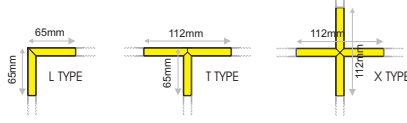


Image	Code	Description	Length	Design-Detail
	PRF.082	LINILINE SURFACE alum.prof. / Anodized	2m	
	PRF.084	LINILINE BASE alum.prof. / Anodized	2m	
	PRF.117	SLIDING BASE alum.prof. / Anodized	2m	
	COV.033	PMMA LENS COVER	2m	
	COV.004 COV.005 COV.006	PMMA CLEAR COVER PMMA FROSTED COVER PMMA SATIN COVER	2m 2m 2m	
	CAP.013 CAP.014	FRONT CAP ALUM. END CAP ALUM.		
	PRH.069	EXTENSION LINE		
	PRH.070 PRH.071 PRH.072	L TYPE 90° LINILINE SURFACE T TYPE 90° LINILINE SURFACE X TYPE LINILINE SURFACE		
	PRH.073 PRH.074	VER-I CORNER 90° LINILINE SURFACE VER-O CORNER 90° LINILINE SURFACE		